

Carroll County Board of Education
Bid Comparison Form

6/14/18 Date
10:00 Time

CCMB Boys Restroom Bid

Bidder	Description-Bid Information	Total Amount
Hawkins Plumbing	Renovation of Boys Restroom main hallway	14,500.00

James Crawford
Signature

6/14/18
Date

[Signature]
Signature

6/14/18
Date

PROPOSAL

LICENSED FOR INDIANA AND KENTUCKY

Hawkins Plumbing & Contracting
P.O. Box 235
Carrollton, KY 41008

PHONE: 502-732-8283
FAX: 502-732-9281

PROPOSAL SUBMITTED TO	PHONE	DATE
CARROLL COUNTY SCHOOLS	732-7077	6/7/2018
ADDRESS	JOB NAME	
813 HAWKINS ST.	BOYS RESTROOM URINALS	
CITY, STATE, ZIP	JOB LOCATION	
CARROLLTON, KY 41008	CCMS 408 5th ST.	
PROPOSAL TO REMOVE EIGHT URINALS, TEAR DOWN AND REBUILD SEVEN COURSES OF BLOCK WALL, LOWER URINAL DRAINS, REPLACE WITH SIX NEW URINALS, INSTALL URINAL DIVIDERS BETWEEN EACH ONE. INCLUDES LABOR AND MATERIAL FOR COMPLETION		
INCLUDES REUSING EXISTING FLUSH VALVES FOR THE SIX NEW URINALS		
URINAL DIVIDERS TO BE PROVIDED BY CC SCHOOLS		
Payment to be made as follows: UPON COMPLETION		
Proposal expires in 30 days from date listed above		
FOURTEEN THOUSAND FIVE HUNDRED DOLLARS & .00/100----- Dollars \$14,500.00		
Acceptance of proposal:	The above prices, specifications, and conditions are satisfactory and are hereby accepted. You are authorized to do the work specified. Payments will be made as outlined above.	
NOTE: 10% LATE PENALTY FEE WILL BE CALCULATED ON A 30 DAY BASIS ON REMAINING BALANCE. 1.5% INTEREST WILL BE CALCULATED ON A 30 DAY BASIS ON REMAINING BALANCE.		
Signature	Date	
Signature	Date	

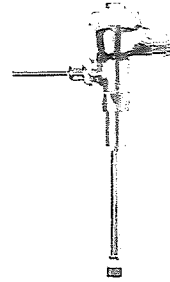
CP-410HE Commercial Package

Cascade™ Urinal and Flush Valve



Urinal Features

- Top spud, half-stall, wall-mount, wash-down urinal with extended sides
- Complies with ADA requirements for accessibility
- 0.5 Gpf this package, also works with 1.0 Gpf flush valves
- Integral trap
- The Mansfield® Limited lifetime warranty
- Available in White







Valve Features

- Manual urinal flush valve
- Chrome-plated housing
- Fits right or left hand supply
- Durable diaphragm with filtered fixed by-pass
- Chloramine resistant diaphragm
- ADA compliant metal non-hold-open handle with sealed handle package
- Vandal resistant torqued stop cap
- High back pressure vacuum break flush connection
- Spud coupling and flange for 3/4" top spud
- Chrome-plated copper casting resistant to dezincification
- 3/4" I.P.S. anglestop

Model CP-410HE

Components

Model #	Description	Codes/Standards
410HE	Cascade 0.5 Gpf half-stall, wash-down, vitreous china urinal. Mounting bracket included.	   
FM-U5	Flush valve for 0.5 Gpf urinals	



MADE IN USA

CP-410 HE Commercial Package

Cascade™ Urinal and Flush Valve



Specifications

URINAL

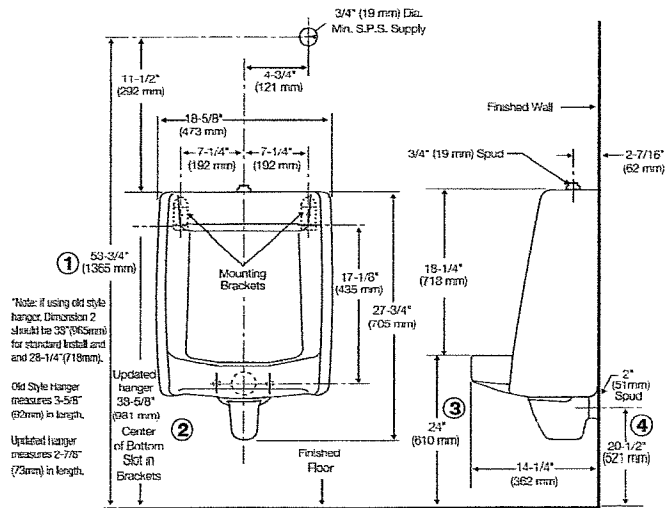
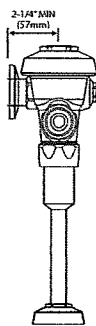
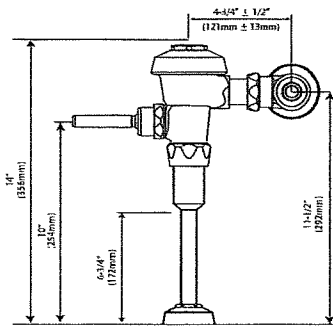
Model #	Description	Codes/Standards
410HE	Half-stall, wash-down urinal	

Specification	Description	Specification	Description
Material	Vitreous China	Water Usage	0.5 Gpf (also works with 1.0 Gpf)
Inlet	3/4"	Shipping Weight	Model 410HE - 60 lbs. (18 kg)
Outlet	2"	Warranty	Vitreous China - Limited Lifetime

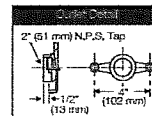
VALVE

Specification	Description	Specification	Description
Material	Brass Casting	Backflow Prevention	vacuum breaker/check valve
Plating	Chrome per ASTM B456	Water Type	potable cold water
Water Delivered	0.5 Gpf	Shipping Weight	6.4 lbs.
Water Pressure Range	20 to 125 psi	Warranty	Limited Three Years

Technical Information



*Note: If using old style hanger, Dimension 2 should be 33" (843mm) for standard ball seat and 28-1/4" (718mm).
 Old Style Hanger measures 3-5/8" (93mm) in length.
 Updated hanger measures 2-7/8" (72mm) in length.



ADA Installation
1 44" (1118 mm)
2 28-7/8" (733 mm)
3 14-1/4" (362 mm)
4 10-3/4" (273 mm)

See our complete line of acrylic and vitreous china bathroom fixtures, plastic tank trim and plumbing products.

These dimensions are nominal and are subject to change without prior notice.
 Fixture performance and specifications meet or exceed, ASME A112.19.2-2008/CSA B45.1-08 standards, and other state and local codes.
 Valve specifications meet ASSE-1037 standards.

NOTE: Outlet connection 2" female threads - protrude 1/2" post the urinal.



MADE IN USA